

CORNER DRAWER BOX ORDER FORM

Customer Code: _____ **Date** ____/____/____
Job / PO: _____
 Company: _____
 City: _____
 Contact Name: _____ Phone: _____
 Ship to Address: _____
 City, State, Zip: _____

_____ Write the word "Quote" in the space for a quote only.
 This is page _____ of _____ pages being faxed

Drawer Box Style Code: _____

Material: _____

Finishing: if not marked, drawer boxes will be unfinished

Finished

Notching For Undermount Drawer Guides:

1-3/8" Back

Hardware For Undermount Guides:

- Blum® 563 Installed (use 1-3/8" notching)
- Blum® 563 Side-to-Side Adjustable (use 1-3/8" notching)
- Salice® Clips Installed (use 1-3/8" notching)

Top Edge Profile:

- Flush Sides (standard for doweled)
- Offset Sides* (standard for dovetail)

Top Edge Finish: (only applies to 9-Ply Birch Boxes)

- Clear Transfer foil (standard)
- Matching PVC Top

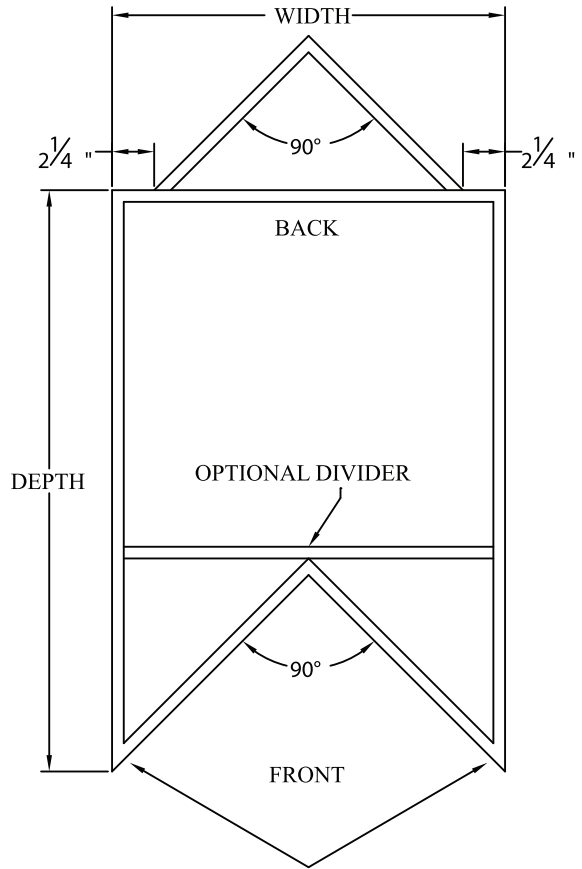
Logo Engraving:

Logo Engraved

Logo Engraving: if this is your first time requesting logo engraving, please email your logo to logo@decure.com in one of these file formats: JPG, TIF, EPS, AI, or PDF (high resolution). Please include your customer code when submitting your logo.

* Offset Sides may also be referred to as Uneven Sides.

	Qty	Width	Height	Depth
1				
2				
3				
4				
5				



Special Instructions: SEE DRAWANGLE SHAPED BOX WITH REMOVABLE DIVIDER

Requested Ship Date ____/____/____
 Our Truck Small Parcel Freight Will Call

Your primary form of payment will be applied unless otherwise requested.
 Office Use Only **CSR:** _____